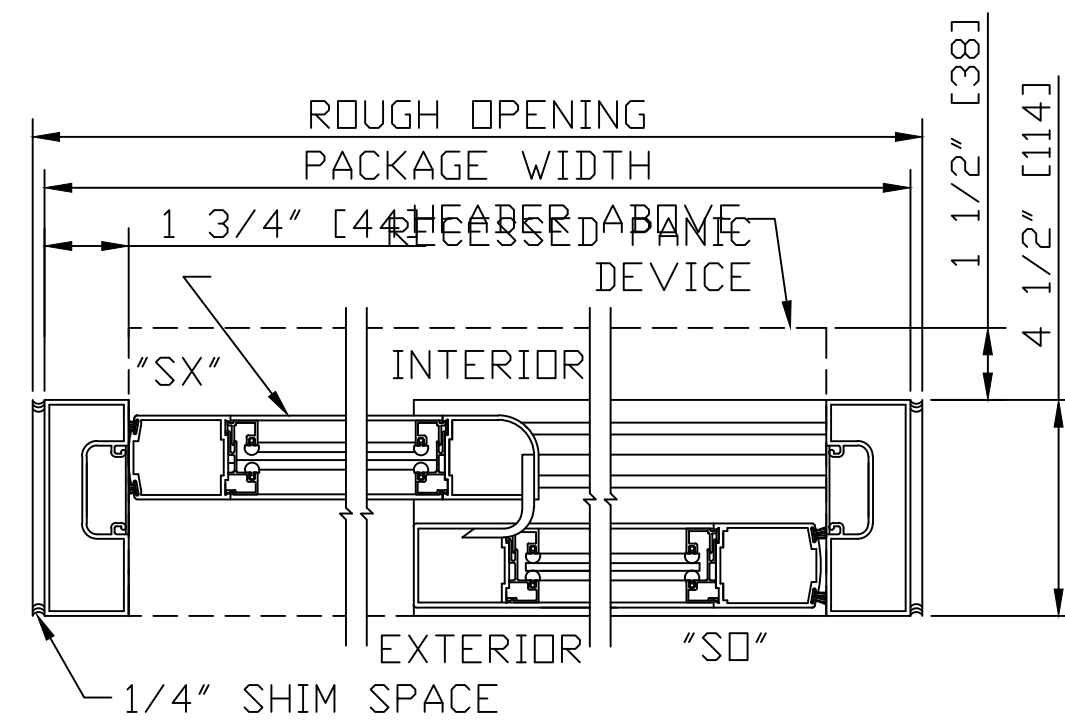


TYPICAL PACKAGE DIMENSIONS (NARROW STILE)			
PACKAGE WIDTH	NOMINAL CLEAR DOOR OPENING	DOOR PANEL NOMINAL WIDTH	EMERGENCY BREAKOUT NOM. WIDTH
84"	35.3"	41.5"	75.0"
96"	41.3"	47.5"	7'-3.0000"
108"	47.3"	53.5"	99.0"

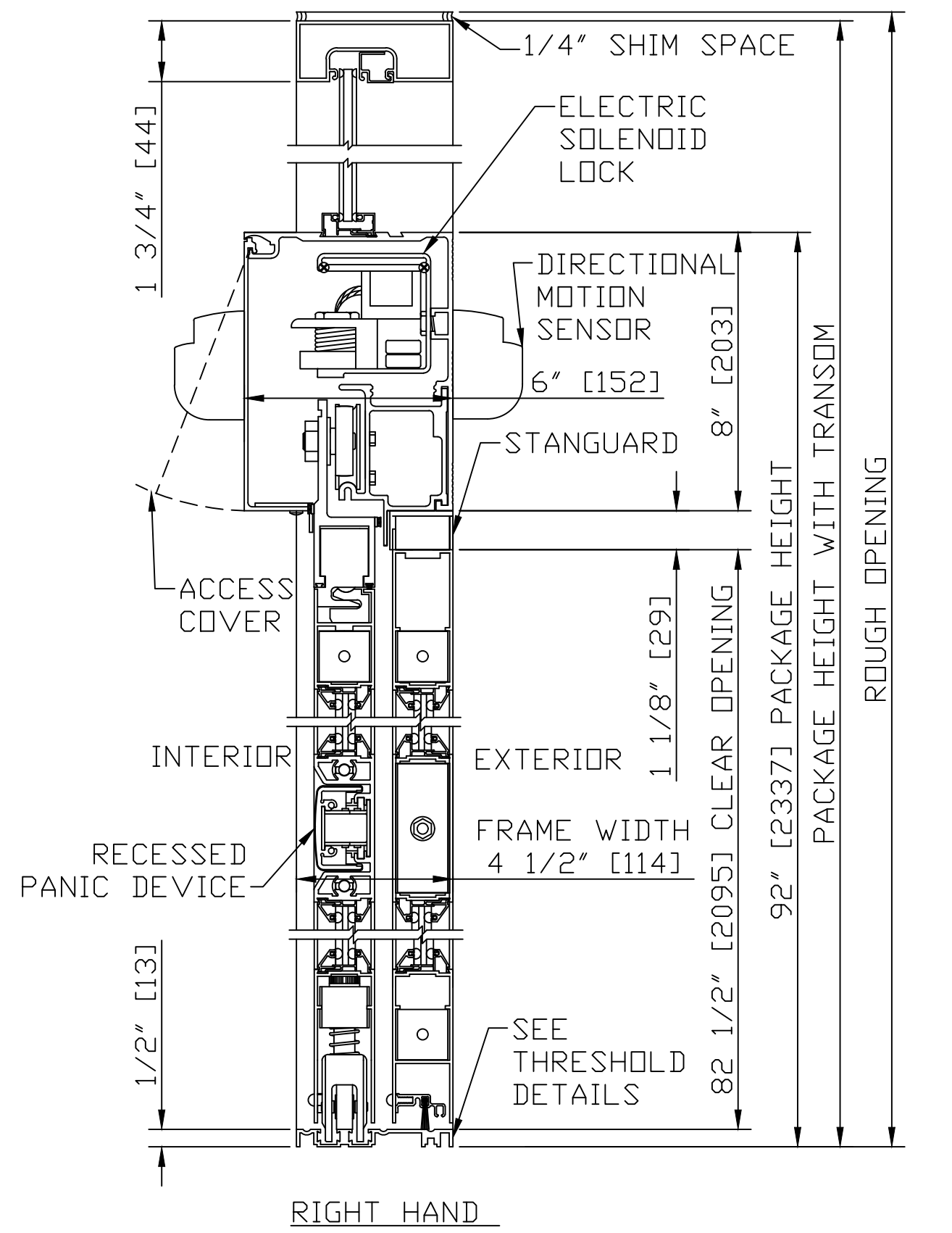
PAGE: 1.04.09

**NOTES**

- ELECTRICAL REQUIREMENTS: BY ELECTRICAL CONTRACTOR 120 VAC, 5 AMP MIN TO POWER OPERATOR CONTROL CIRCUIT FROM SECURE ACTIVATION TO OPERATOR
- ROUGH OPENING SHALL PROVIDE 1/4"[6] SHIM SPACE ON SIDES AND TOP OF PACKAGE.
- LIMITS OF ACTIVATION AND SAFETY ZONES ARE FOR REFERENCE ONLY; SEE ANSI/BHMA A156.10 FOR DETAILED REQUIREMENTS.
- SEE SPECIFICATIONS FOR ADDITIONAL INFORMATION.



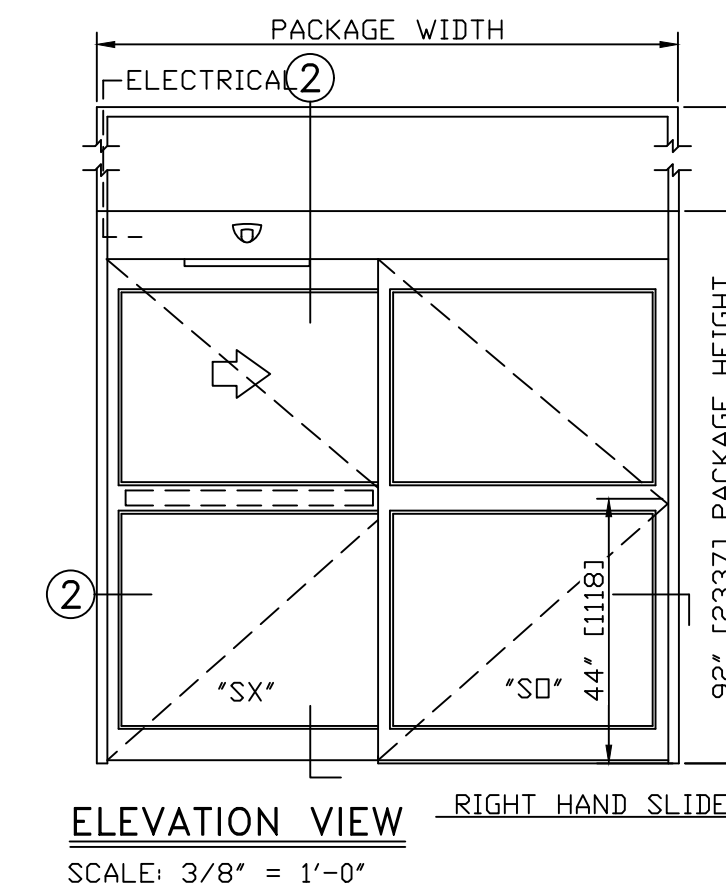
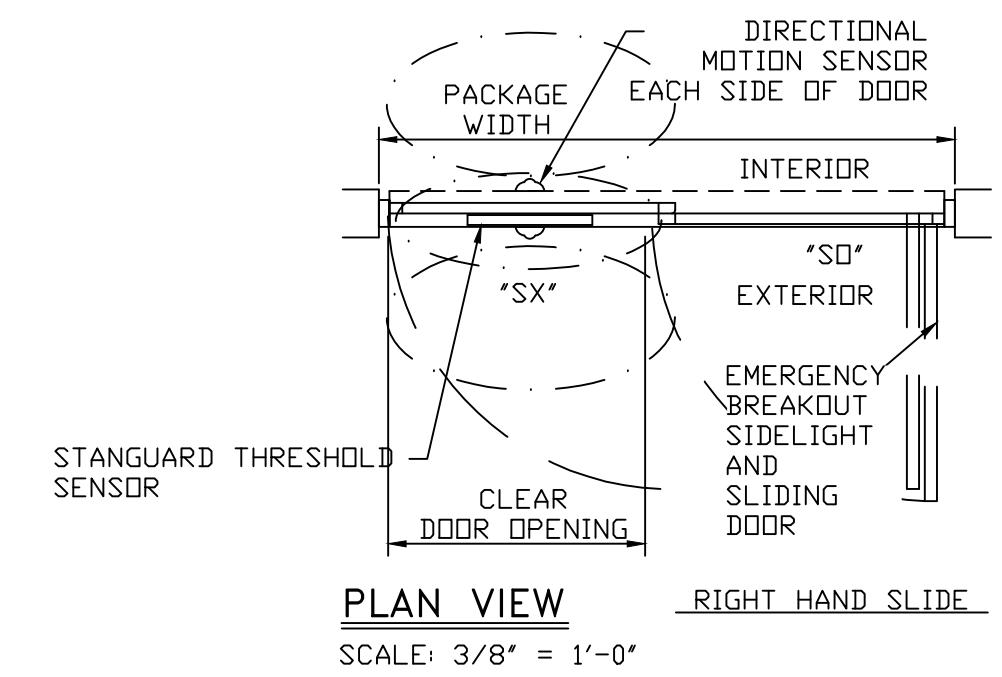
3 DETAIL - SLIDING DOOR HORIZONTAL SECTION  
A0.4 SCALE: 3" = 1'-0"



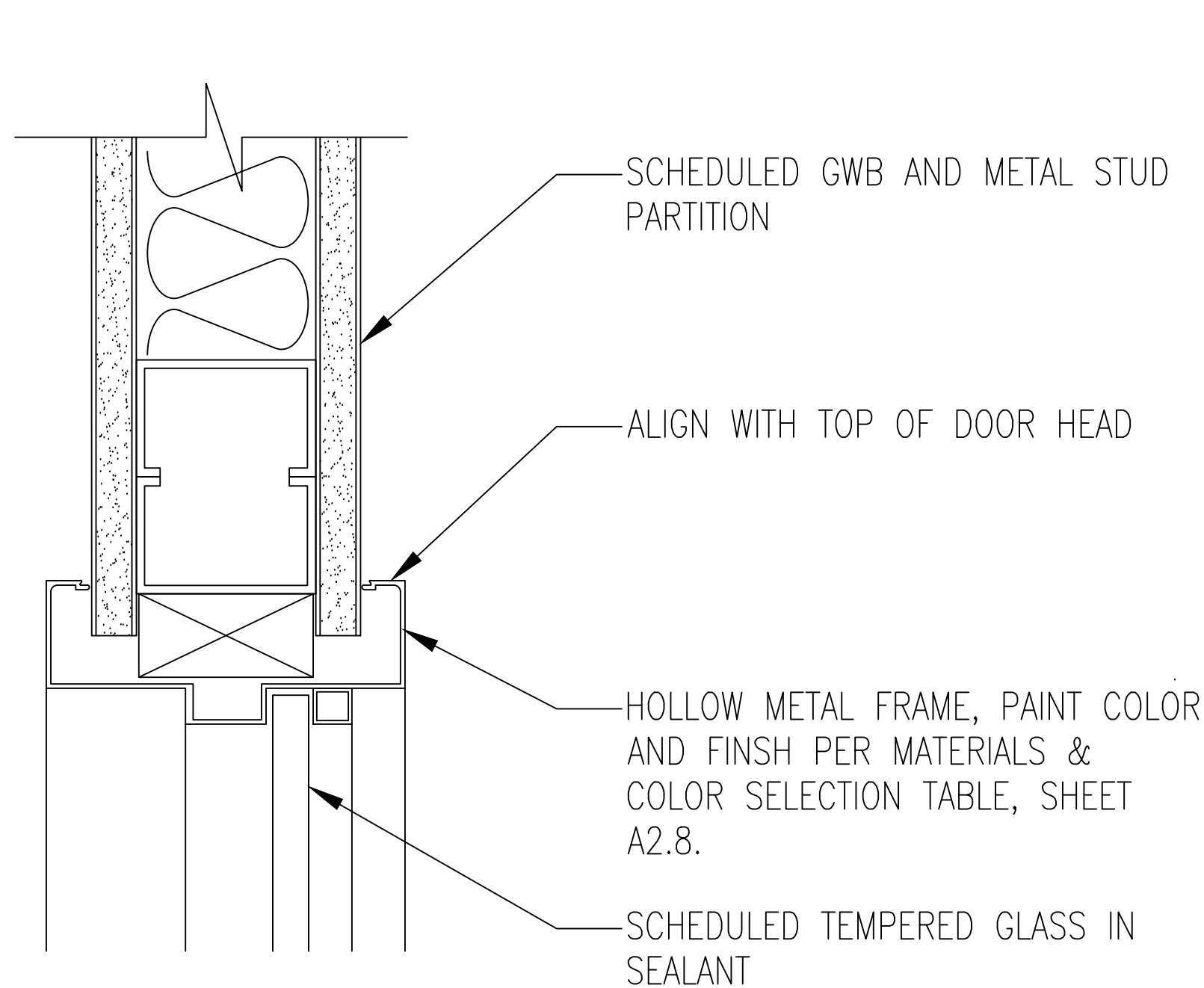
2 DETAIL - SLIDING DOOR VERT SECTION  
A0.4 SCALE: 3" = 1'-0"

- PRODUCT OPTIONS**
- TRANSOM**  
 YES  
 VERTICALS 1 2 3
- FINISH**  
 ANODIZED CLEAR CL2  
 ANODIZED DK BRONZE  
 CUSTOM
- LOCKING**  
 1-POINT  
 ACCESS CONTROL (PANIC)  
 2-POINT  
 3-POINT
- STILES**  
 NARROW  
 MEDIUM
- BOTTOM RAILS**  
 STANDARD 4"  
 OPTIONAL 6" 8" 10" 12"
- THRESHOLDS**  
 SQ/BVL (EXT)  
 DBL BVL  
 SQ/BVL (INT)  
 RECESSED
- ACTIVATION/SAFETY**  
 2 SU-100/STANGUARD  
 2 COMBINED ACTIVATION/SAFETY SENSORS
- OTHER OPTIONS**  
 ROTARY CTRL SWITCH  
 UNINTERRUPTIBLE POWER SUPPLY  
 FLY OPEN BOX  
 WIND DAMPERS  
 PANEL CLOSERS  
 ALARM CONTACTS  
 CLEAN ROOM (CL 1)
- SINGLE SLIDE FORMULAS - NARROW STILE**  
 PACKAGE WIDTH = 2 X CLEAR DOOR OPENING + 13.4"  
 CLEAR DOOR OPENING = 1/2 PACKAGE WIDTH - 6.7"  
 EMERGENCY BREAKOUT WIDTH = PACKAGE WIDTH - 9.0"  
 DOOR PANEL WIDTH = 1/2 PACKAGE WIDTH - 0.5"
- SINGLE SLIDE FORMULAS - MEDIUM STILE**  
 PACKAGE WIDTH = 2 X CLEAR DOOR OPENING + 17.8"  
 CLEAR DOOR OPENING = 1/2 PACKAGE WIDTH - 8.9"  
 EMERGENCY BREAKOUT WIDTH = PACKAGE WIDTH - 10.5"  
 DOOR-PANEL WIDTH = 1/2 PACKAGE WIDTH + 0.2"
- SINGLE SLIDE WITH OPTIONAL TRANSOM**

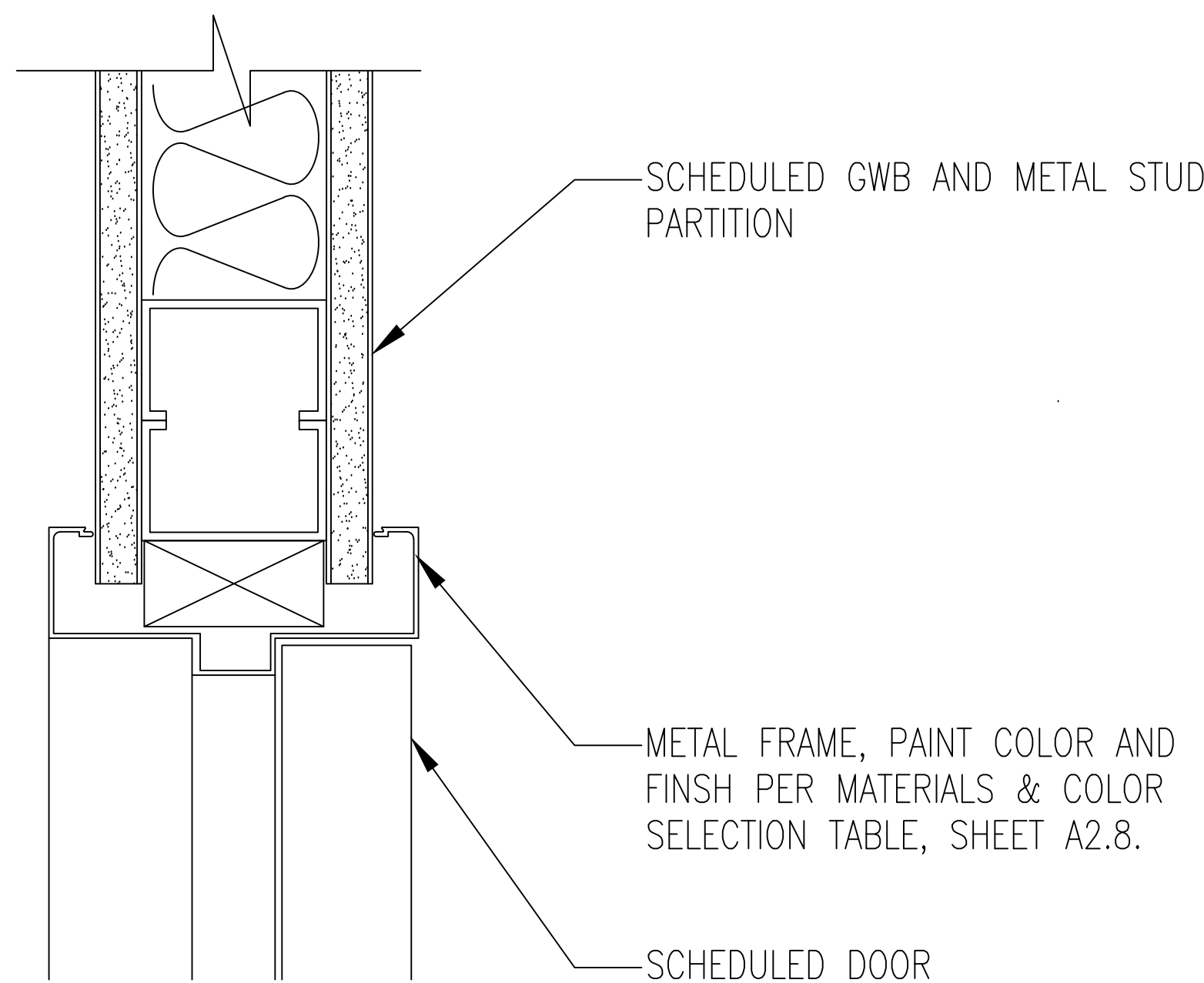
STANLEY DURA-GLIDE 3000 SERIES  
SINGLE SLIDE WITH TRANSOM



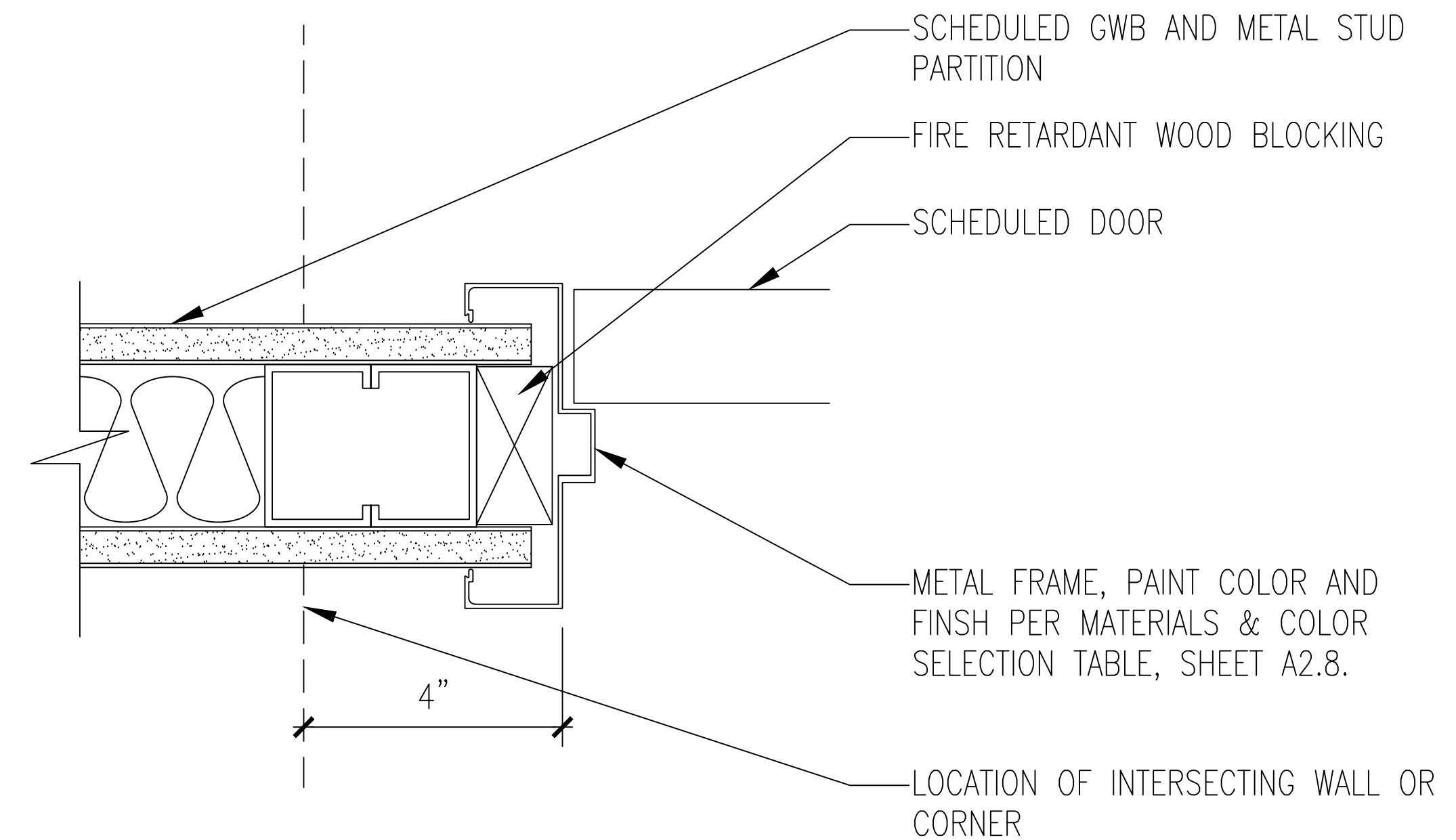
1 ELEVATION - SINGLE SLIDING DOOR  
A0.4 SCALE: 3/8" = 1'-0"



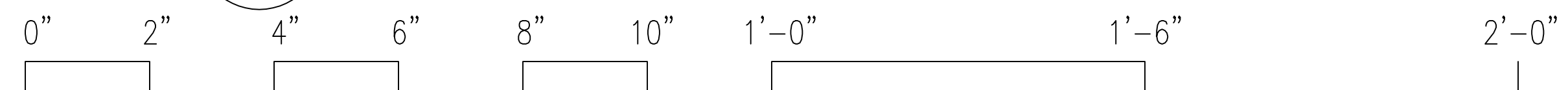
6 DETAIL - INTERIOR WINDOW HEAD/JAMB  
A0.4 SCALE: 6" = 1'-0"



5 DETAIL - METAL DOOR FRAME HEAD  
A0.4 SCALE: 6" = 1'-0"



4 DETAIL - METAL DOOR FRAME JAMB  
A0.4 SCALE: 6" = 1'-0"



EXPIRES 11-30-2018



I hereby certify that these plans were prepared under my supervision and that they comply, to the best of my knowledge, with all the building codes and ordinances of the city of Chicago, IL.

NO.	DATE	DESCRIPTION
1	10/06/17	BACKGROUND
2	02/09/18	ISSUE FOR BID
3	03/30/18	ISSUE FOR PERMIT

**A. WILLIAM SEEGER ARCHITECTS**  
 Chicago, Illinois 60661  
 117 North Jefferson St., Suite LL3B  
 Phone 312-454-0999  
 Fax 1-312-454-1456  
 E-mail AWSseegers@gmail.com

Drawing Title:  
**1st Floor Upgrade Repairs**  
 2101 S. Michigan Avenue  
 Chicago, IL

DESCRIPTION:  
**Door & Frame Details**

JOB NO. 1701  
 DRAWN BY: AWS  
 CHECKED BY: AWS  
 DATE: 10-06-17

SHEET NO.

**A0.4**